

Technical Specification

MODEL : TULA50

Piezoelectric Technology CO., Ltd.

#501 Sinnae Technotown, Bonghwasan-ro 123,
Jungrang-gu, Seoul, Korea, 131 - 863

Tel. +82-2-3421-0370 Fax. +82-2-3421-0374

<http://www.piezo-tech.com>

Revision History

| Date | Revision | Description |
|--------|----------|---|
| 2007/5 | 1.0 | First release |
| 2020/4 | 2.0 | Modified the rod diameter by $\Phi 1.0$ |
| 2021/9 | 3.0 | |
| | | |
| | | |
| | | |
| | | |
| | | |
| | | |
| | | |

CONTENTS

MODEL NAME : TULA50

| | |
|---|----|
| 1. The full text..... | 4 |
| 2. General notice | 5 |
| 3. Characteristics of the TULA50 series motor | 6 |
| 3-1. Mechanical characteristics..... | 6 |
| 3-2. Electrical characteristics..... | 7 |
| 4. Outline of TULA50-180 | 8 |
| 5-1 Driving waveform | 9 |
| 5-2 Mechanical characteristics..... | 10 |
| 5.3 Position Sensors | 11 |
| 5.4 Mobile Examples | 12 |
| 6. Driving Circuit | 14 |
| 6-1 Single IC solution 1 | 14 |
| 6-2 Single IC solution 2 | 14 |
| 6-3 DC-DC converter..... | 15 |
| 7. Evaluation kit (PMC1202/ PMC1804)..... | 16 |
| 8. Reliability test result | 17 |
| Endurance characteristics | 17 |

PRODUCT STANDARD SPECIFICATION FOR TULA50

1. The full text

- 1) The document defines the standard specifications for the TULA50 which is to be delivered by Piezoelectric Technology co., Ltd.
- 2) Items not specified in the document, but necessary to be included shall be described in the additional specifications after discussion. This rule can be applied only if the standard product manufacturing process is not affected. Otherwise, modified items are treated as special models.
- 3) Some characteristics for electrical noise, mechanical noise, clearance noise, vibration, service life and so on should be checked after being mounted in application.
- 4) Any problem related in the present specifications should be decided by discussion between user and supplier.
- 5) Products can be partially modified for improvement, and supplier will send related information to user.
- 6) If motor is operated beyond the scope of specification or broken by user's fault, we can not guarantee the product any time.
- 7) Items related in the applicable safety standard can be decided by consultation between the user and supplier when required.

2. General notice

- 1) Please do not store or operate the motor in the atmosphere where erosive gases are present (e.g. H₂S, SO₂, NO₂ and Cl₂, etc.) and also in places where materials emit erosive gases.
- 2) Please do not store under high temperature, and low temperature, and high humidity and much dust conditions.
- 3) Please keep specifications strictly regarding voltage and capacity of the motor, and load range.
- 4) Please do not operate the motor with over-load condition. In case of indicating polarity the motor, please do not run with opposite polarity because of undesirable damage and change of characteristics on the motor.
- 5) Please do not give a great shock to the motor.
- 6) Ambient temperature might have influence on the motor. Please set the motor apart from exothermic parts such as transformer.
- 7) Please do not hold the end of wire (or FPCB) to handle the motor. If so, the characteristics of the motor may be changed or the motor may be not operated by undesirable damage.

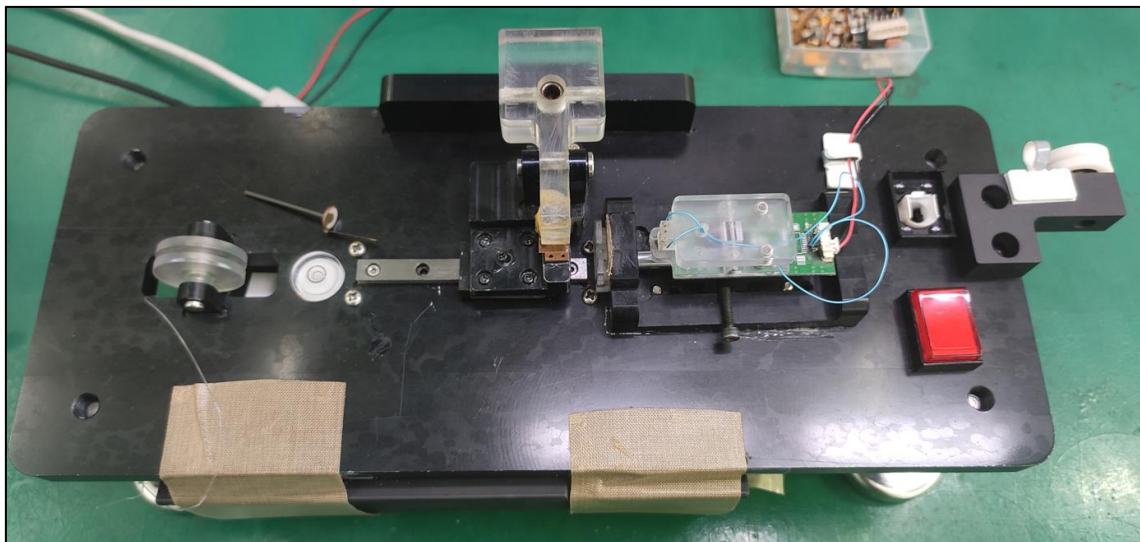
※ We strongly recommend to hold the part of rod with a soft material when you set up the motor in your application.

3. Characteristics of the TULA50 series motor

3-1. Mechanical characteristics

| Item | Unit | Value | Condition |
|----------------|------|-----------|--|
| Speed(No load) | mm/s | > 10 | Driving voltage : 20 V Temperature : 25°C |
| Max-Thrust | g.f | > 20 | |
| Holding-Force | g.f | 100 ~ 150 | |
| Stroke | mm | < 10 | |
| Shaft length | mm | < 22 | |

The speed and thrust of TULA50 is affected by the mobile part feature, rod holder feature, length of rod and especially, the driving voltage. [Figure 3-1] shows the TULA meter which measures the performance of TULA50.



[Figure 3-1] TULA measuring equipment

3-2. Electrical characteristics

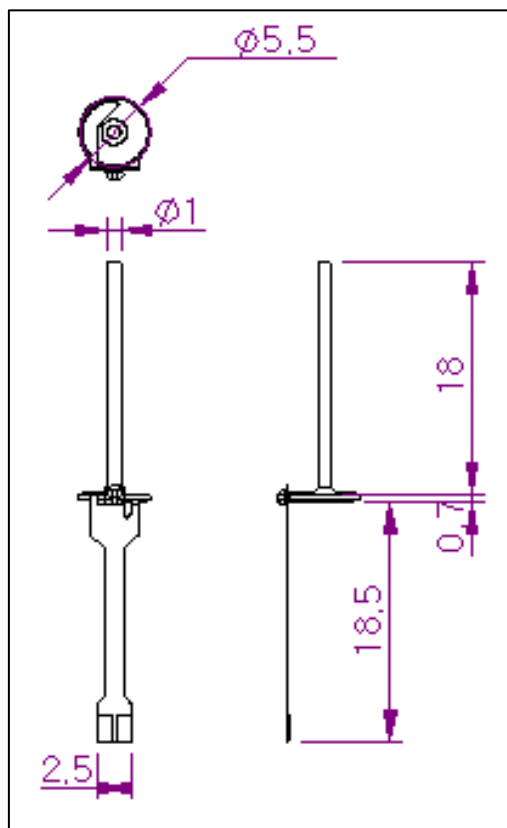
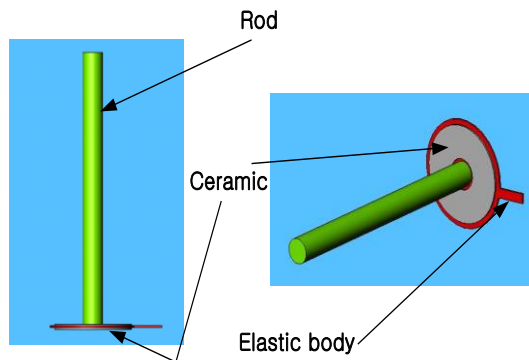
| Item | Unit | Value | Condition |
|------------------------|------|---------|------------|
| Driving Frequency | kHz | 60 ~ 80 | TULA_meter |
| Driving Voltage | V | 20 ~ 35 | |
| Power Consumption(20V) | mW | < 350 | |

There is small variance of the driving frequency because of the mobile part feature, rod holder feature and length of rod.

The power-consumption depends on the driving voltage. According to the application, the optimization must be needed.

4. Outline of TULA50-180

'180' means that rod length is 18.0 mm. The rod length can be changed by user application.



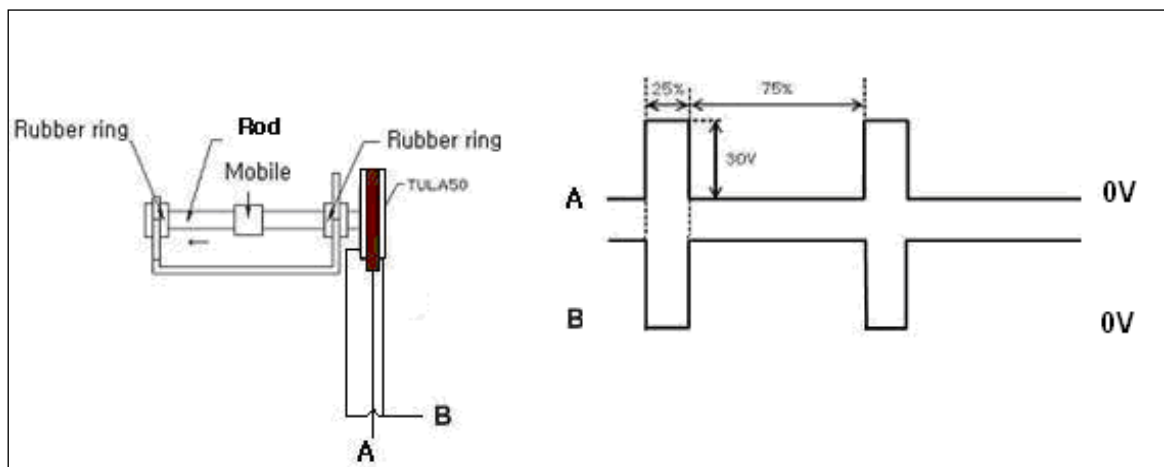
[Figure 4-1]

5. Application Information

5-1 Driving waveform

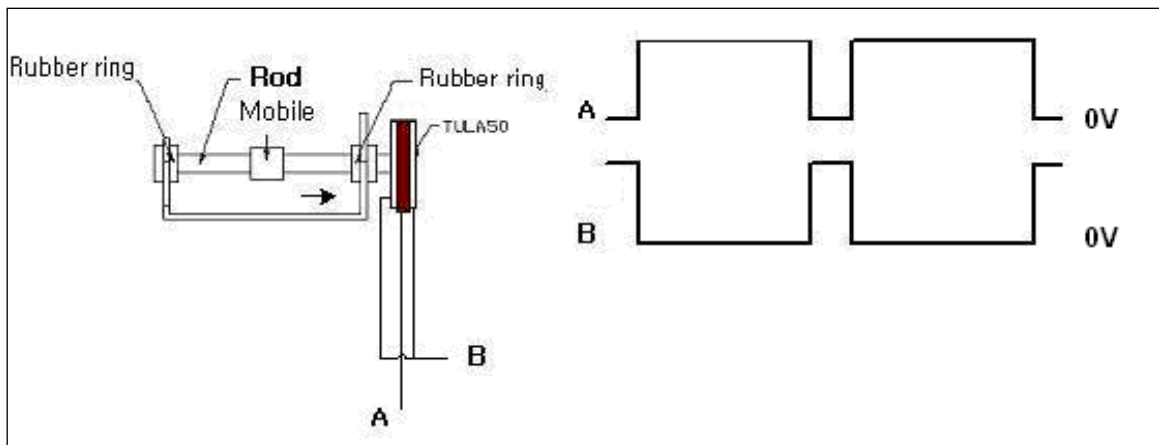
PWM signals to piezo motor determine the direction and speed of the mobile part.

A. Forward direction



[Figure 5-1] TULA driving PWM signal

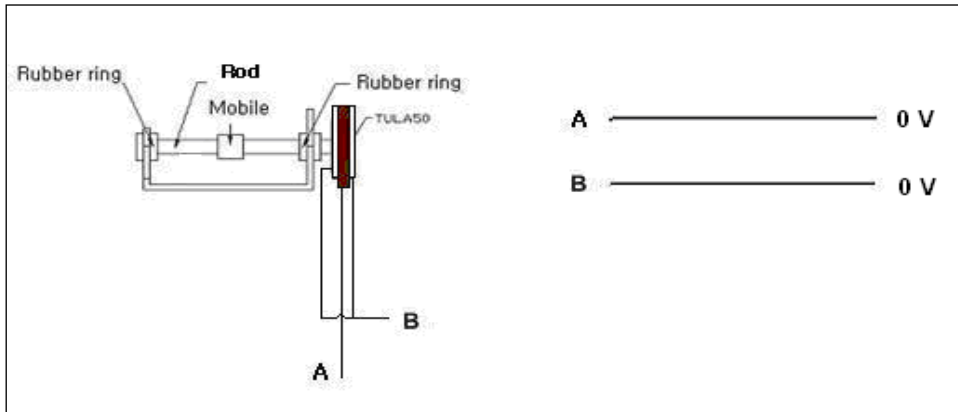
B. Reverse direction



[Figure 5-2] TULA driving PWM signal

C. No operation

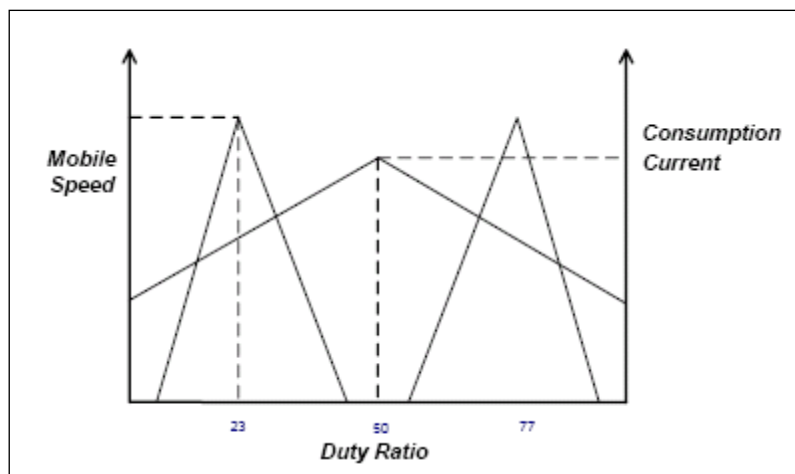
If the driving signals of piezo motor are in DC level or high impedance, the mobile part does not move and due to friction the mobile part keeps its position. In this case, piezo motor does not consume any power.



[Figure 5-3] No signal

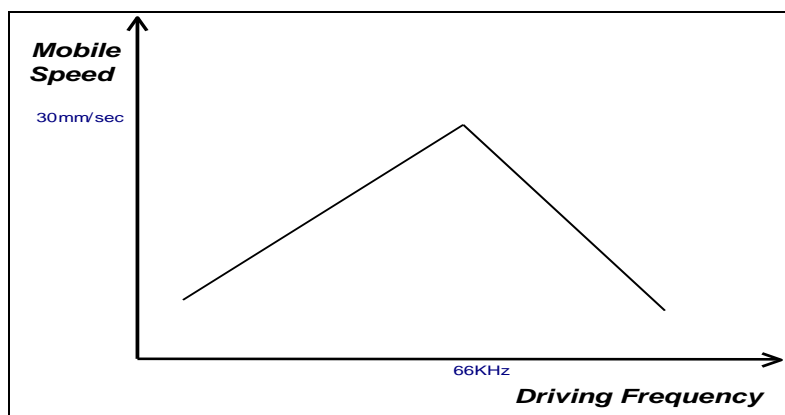
5-2 Mechanical characteristics

In order to control the speed of piezo-motor, the duty or frequency is important factors. [Figure 5-4] shows the typical characteristics of speed and current according to the duty ratio at fixed driving frequency.



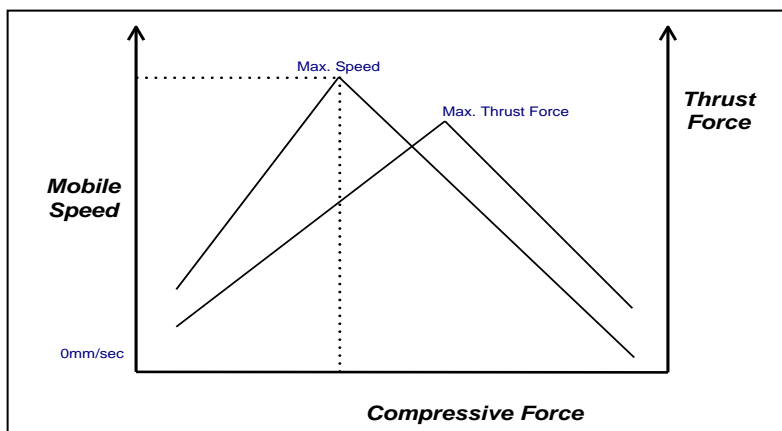
[Figure 5-4] Typical Duty vs Speed & Current

[Figure 5-5] shows the typical characteristics of the frequency versus speed. Depending on the ambient temperature, this graph will be shifted by several kHz



[Figure 5-5] General frequency characteristics

[Figure 5-6] shows the typical compressive force versus thrust and speed. In order to get more thrust, it needs more compressive force to some extent. Inversely, for high speed, then lowers a compressive force of mobile part.



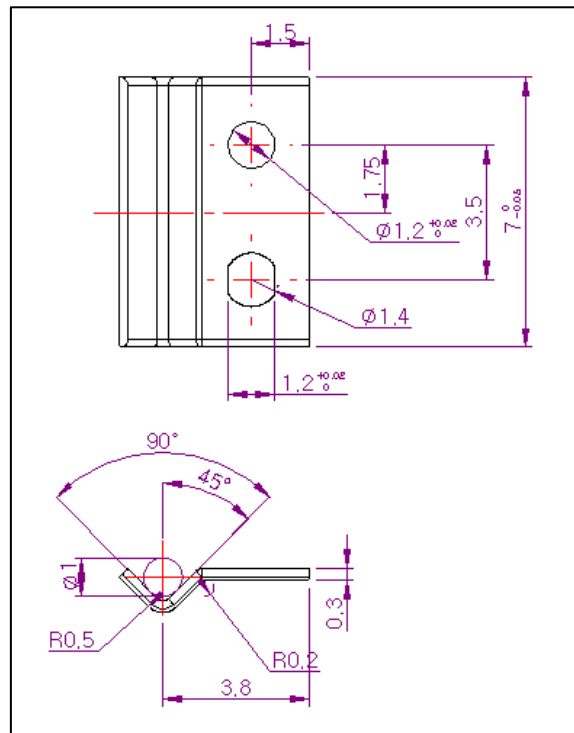
[Figure 5-6] Compressive force vs. speed & thrust

5.3 Position Sensors

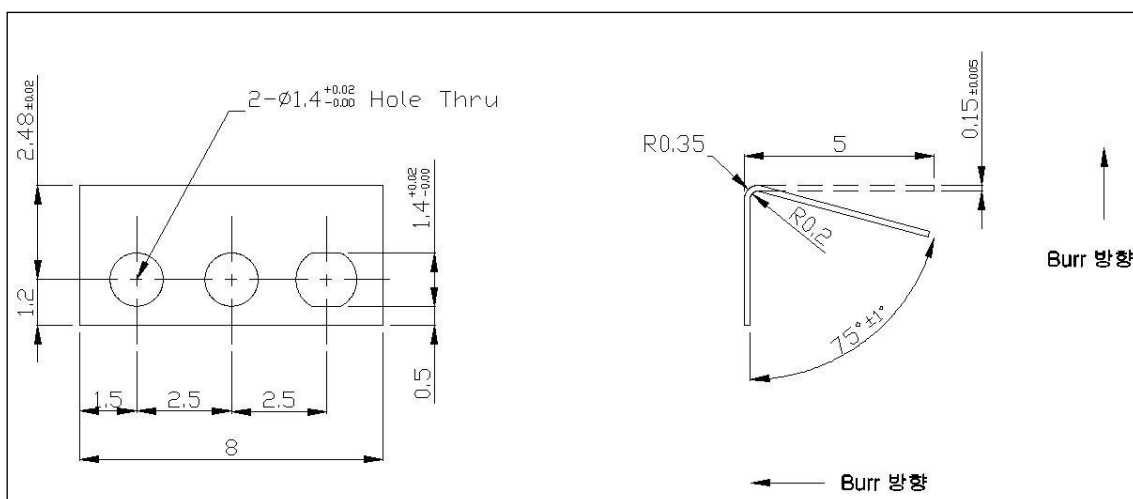
Position sensor or encoder must be needed for close-loop precision control. MR (Magnetic Resistive) sensor, hall sensor, PR (photo reflector) or encoder can be used to get the position of mobile according to user's application. The accuracy and resolution depends on sensor or encoder used.

5.4 Mobile Examples

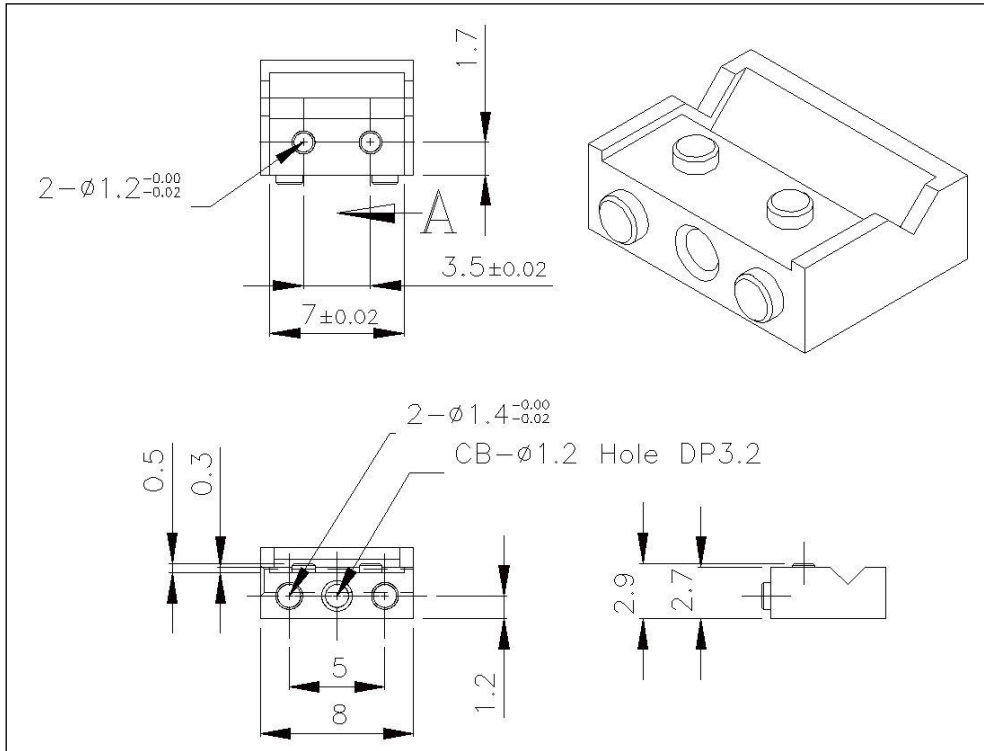
[Figure 5-7], [Figure 5-8] and [Figure 5-9] shows the good example of V-block, Plate-spring and mobile-body. This structure has high thrust and high holding force. Frictional surface length is 7mm.



[Figure 5-7] V-block



[Figure 5-8] Plate spring

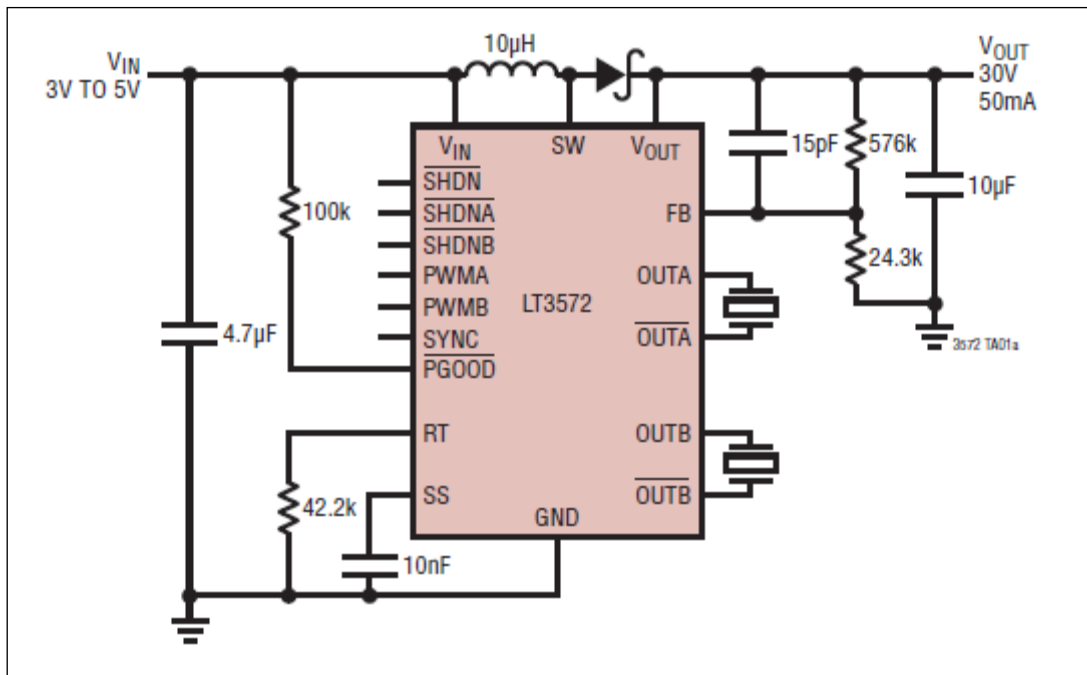


[Figure 5-9] Mobile body

6. Driving Circuit

6-1 Single IC solution 1

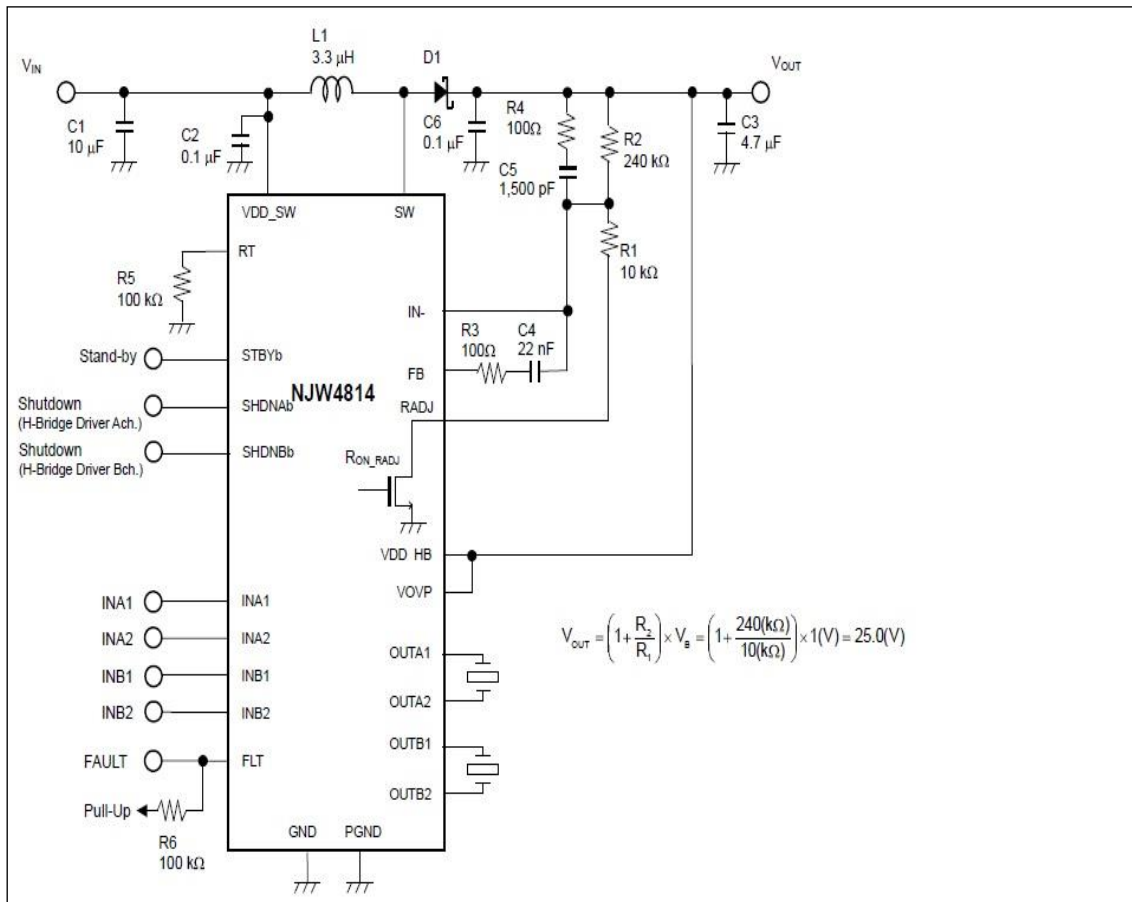
LT3572 is 2 channel single chip solution for TULA. For more information, please refer to the technical data-sheet of LT3572.



[Figure 6-1] LT3572 typical application

6-2 Single IC solution 2

NJW4813/4814 from "JRC" is single chip solution. NJW4814 is for 2 channels and NJW4813 is for single channel. For more information, please refer to the technical data-sheet of NJW4814 or NJW4813.



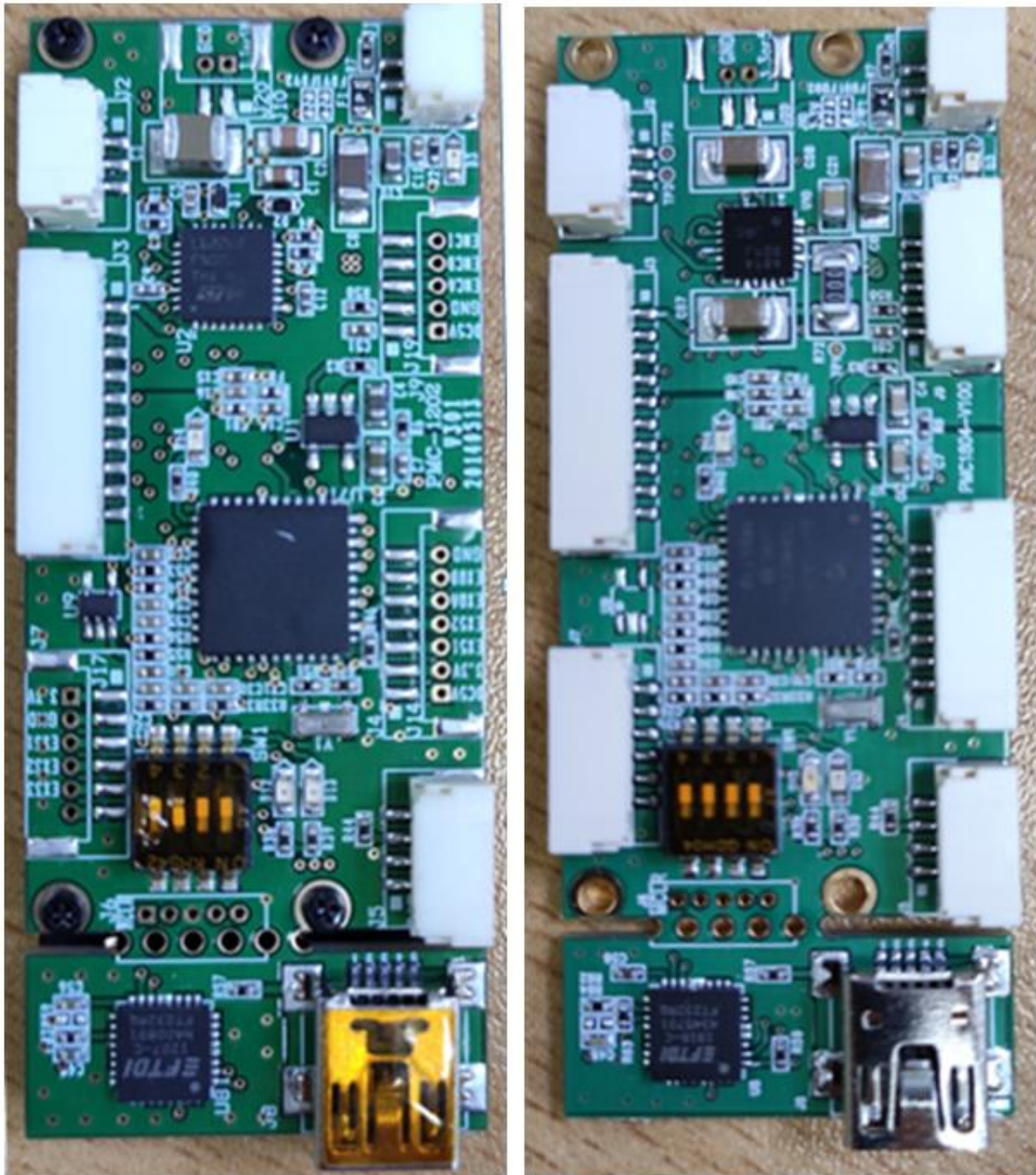
[Figure 6-2] NJW4814 typical application circuit

6-3 DC-DC converter

In order to use the commercial half or full bridge FETs, DC-DC converter (input 5V, output 20~35V) such as LT3467 (Linear Technology) is needed. Output voltage level can be adjusted by feedback resistor. If you need more output-current, then LT1935 is a good alternative. L6226Q is dual channel full-bridge FET. This driver IC can be used with DC-DC convert for driving TULA, in case that LT3572 or NJW4814/13 can't be used.

7. Evaluation kit (PMC1202/ PMC1804)

To understand TULA-operation and develop user's application easily, "PMC-1202" is available. The driving frequency, voltage and duty ratio can be adjusted. For more information of "PMC-1202 operation manual"



[Figure 7-1] PMC1202 / PMC1804

8. Reliability

Endurance characteristics

Approximately 80% of initial performance is guaranteed after 500,000 cycle movement with following conditions.

Test conditions: 2 mm stroke at the center of rod,
 Max. speed movement.
 'Test Jig' provided by P.T Company.